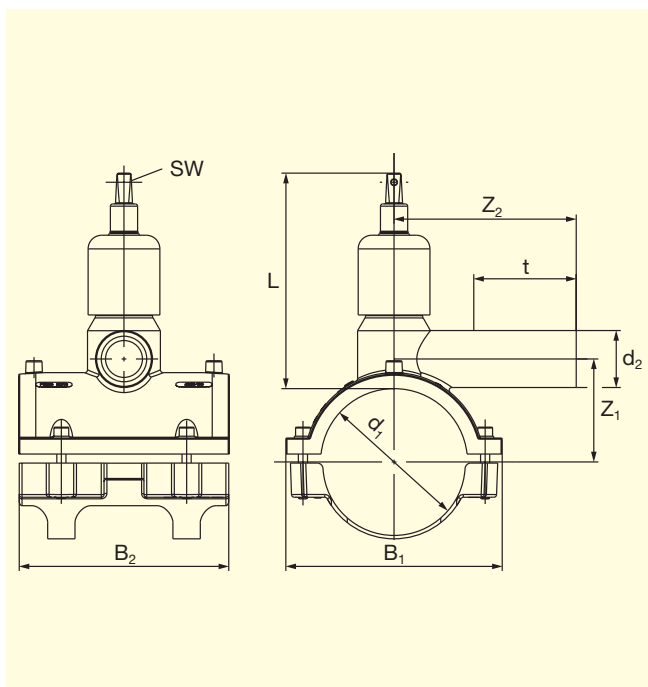


FRIALEN®-Pressure Tapping Valves DAV (KIT) with new valve mechanics in kit version **PE 100 SDR 11**

Maximum working pressure 16 bar (Water) / 10 bar (Gas)



d ₁	d ₂	Offer No.	Stock-status	VE	PE	L	z ₁	z ₂	t	B ₁	B ₂	SW	Drilling Ø	Weight kg/each
63	32	T-615 614	1	16	288	160	53	115	85	98	105	14	20	0.980
63	40	T-615 615	1	16	288	160	55	125	85	98	105	14	20	0.924
90	32	T-615 616	1	12	96	200	71	126	84	146	150	14	30	1.886
90	40 [Ⓞ]	T-615 617	1	12	96	200	73.5	152	105	146	150	14	30	2.024
110	32	T-615 620	1	10	80	190	75	130	85	175	180	14	30	2.056
110	40 [Ⓞ]	T-615 621	1	10	80	190	80	110	50	175	180	14	30	2.214
110	50	T-615 622	1	10	80	190	80	160	105	175	180	14	30	2.223
110	63	T-615 623	1	10	80	190	75	180	115	175	180	14	30	2.368
125	32	T-615 624	1	10	80	190	80	145	85	190	185	14	30	2.176
125	40 [Ⓞ]	T-615 625	1	10	80	190	85	110	50	190	185	14	30	2.322
125	50	T-615 626	1	10	80	190	85	165	105	190	185	14	30	2.331
125	63	T-615 627	1	10	80	190	80	180	115	190	185	14	30	2.476
160	32	T-615 628	1	6	48	245	114	130	85	225	195	14	30	2.722
160	40 [Ⓞ]	T-615 629	1	6	48	245	111	115	60	225	195	14	30	2.980
160	50	T-615 630	1	6	48	245	117	160	105	225	195	14	30	2.980
160	63	T-615 631	1	6	48	245	117	165	115	225	195	14	30	3.180
180	32	T-615 632	1	5	40	245	124	130	85	240	195	14	30	2.880
180	40 [Ⓞ]	T-615 633	1	5	40	245	121	115	60	240	195	14	30	3.020
225	32	T-615 640	1	5	40	245	147	130	85	260	195	14	30	2.890
225	40 [Ⓞ]	T-615 641	1	5	40	245	144	115	60	260	195	14	30	3.040

FRIALEN®-Pressure Tapping Valves DAV ≤ d 63 can be used for pipes of SDR stage 11 and > d 63 of SDR stages 11 to 17.6

Ⓞ with reducer MR d 50/40

Please turn over for important information regarding application of the **FRIALEN®**-Pressure Tapping Valves DAV (KIT)



FRIALEN[®]-Pressure Tapping Valves DAV (KIT)

with new valve mechanics in kit version

PE 100 SDR 11

Maximum working pressure 16 bar (Water) / 10 bar (Gas)

Areas of Application

The FRIALEN[®]-Pressure Tapping Valves DAV are used for branches of unpressurised and pressurised gas and water pipelines.

Outlet spigots are prepared for receiving gas flow controllers. Dimensions on request.

Assembly Instructions

The fusion of the HDPE distribution pipes and the house connections with FRIALEN[®]-Pressure Tapping Valves takes place by FRIALEN[®]-fusing – leakproof and longitudinally strong.

The connection to the house connection pipe is carried out by means of the enclosed coupler FRIALEN[®]-MB or reducer FRIALEN[®]-MR.

The saddle and the outlet spigot have to be handled (removing of the oxide layer/cleaning) according to the general installation instructions (see “Assembly Instructions” for “FRIALEN[®]-Safety Fittings for house connections and distribution pipes up to d 225”).

DVGW-Registration Nos.:
DV-6611AU2254, DV-6611AU2255 and
DV-6611AU7039

Fourteen good reasons for using the FRIALEN[®]-DAV

- Only 7-10 turns to activate “OPEN/CLOSE”
- Simplified appliance due to little drilling strengths
- Higher flow result, less loss of pressure: in position “OPEN” the drill is not in the floating cross-section
- Fusing and drilling of the main under maximum permitted working pressure gas/water
- Compact part in HDPE
- Preassembled unit without loose parts
- No preventive measures necessary with regard to corrosion
- Actuating spindle in stainless steel
- Swarfless tapping due to rotating punching drill made of stainless steel
- Punched-out pipe piece fits securely in drill
- Drill with upper and lower stop
- Length of outlet spigot dimensioned for two fusion operations
- Maintenance free, operating isolating valve actuated by a linkage (e.g. FRIALEN[®]-EBS)
- Additional barcode for tracing back the underground fitting (Traceability-Coding).

Please find our datasheets for downloading on the internet at www.friatec.de

For further information, please call our FRIALEN[®] customer service staff and specialist advisers.

FRIATEC Aktiengesellschaft · Technical Plastics Division
P.O.B. 71 02 61 · D-68222 Mannheim
Telephone +49 621 486-0 · Telefax +49 621 479196
www.friatec.de · E-Mail: info-frialeen@friatec.de