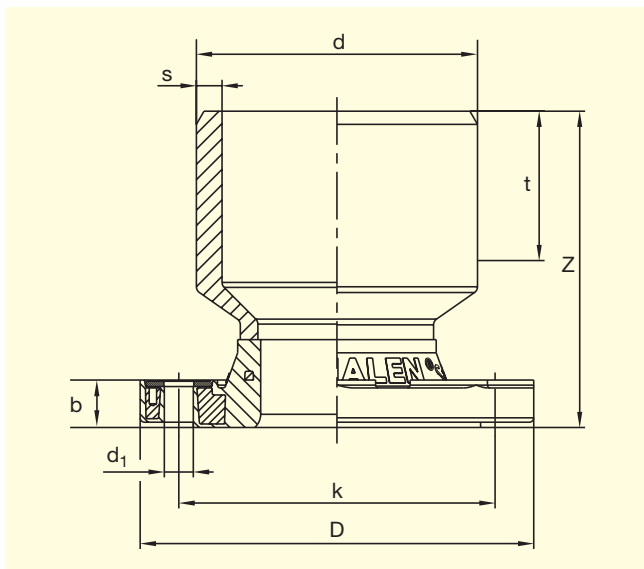


FRIALEN® FLR Flange Reducers

PE 100 SDR 11

Maximum operating pressure 16 bar (water)



Additional grommets required

d/DN	Order Number	Stock-status	VE	PE	D	ØK	d ₁	t	z	b	s	Number of screw holes	Weight kg/each
110/80	T-615 065	1	3	96	204	160	16.5	82	166.5	25	10	8	3.500
160/100	T-616 241	1	2	64	224	180	16.5	85	180	27	14.6	8	4.050
225/100	T-616 242	1	2	64	224	180	16.5	110	225	27	20.5	8	5.400

Please turn over for important information regarding the application of **FRIALEN®-FLR**.



FRIALEN® FLR Flange Reducers

PE 100 SDR 11

Maximum operating pressure 16 bar (water)

Area of Application

The FRIALEN® FLR flange reducer is used as material adapter. In addition, there are specific options for the direct connection of

- Flange valves in reduced branches in connection with a FRIALEN T-piece or a FRIALEN Spigot Saddle SA
- Hydrants at FRIALEN elbows with base WF 90° - d 110

The compact component ensures that the reduced flange connection is achieved easily, quickly and economically.

The constructive design eliminates the familiar cold flow behaviour of HD-PE around the flange connection. Protective measures against corrosion are not required.

Processing Advice

Fusion of the pipe socket takes place according to the FRIALEN assembly instructions. Flange design according to DIN EN 1092-1. Grommets are required for the flange connections. All standard profile and flat gaskets may be used. We recommend profile gaskets type G-St. Please observe gasket manufacturers' instructions with regards to screw torque.

Six good reasons for FRIALEN® FLR flange reducers

- Compact component for material connection and direct reduction
- Simple valve integration
- Fixed flange for maximum stability
- No corrosion measures necessary for FLR
- Safe assembly using screws, typical plastic cold flow behaviour eliminated due to intelligent construction
- Component traceability through traceability barcode

Please find our datasheets for downloading on the internet at www.friatec.de

Please call our FRIALEN® customer care team and specialist advisers for more information.

FRIATEC Aktiengesellschaft · Technical Plastics Division
P.O.B. 71 02 61 · D-68222 Mannheim
Telephone +49 621 486-0 · Telefax +49 621 479196
www.friatec.de · E-Mail: info-frialen@friatec.de



an OAliaxis company